



# Parts and Accessories Installation Instructions

---

## Z4 Hardtop Retrofit Kit LHD and RHD

### BMW Z4 (E85)

Specialist knowledge required.

#### Important information

Only for use in the BMW dealer organisation.

The target group for these installation instructions is specialist personnel trained on BMW cars with the appropriate specialist knowledge.

All work must be completed using the latest BMW repair manuals, circuit diagrams, servicing manuals and work instructions in a rational order using the prescribed tools (special tools) and observing current health and safety regulations.

Item numbers refer only to the overview drawing and to the texts next to the appropriate figure.

Subject to technical modifications.

#### Installation information

The installation time is approx. 1.0 hours but this may vary depending on the condition of the car and the equipment in it.

Retrofit kit No. 54 21 7 016 896

#### Required special tools

None

## Contents

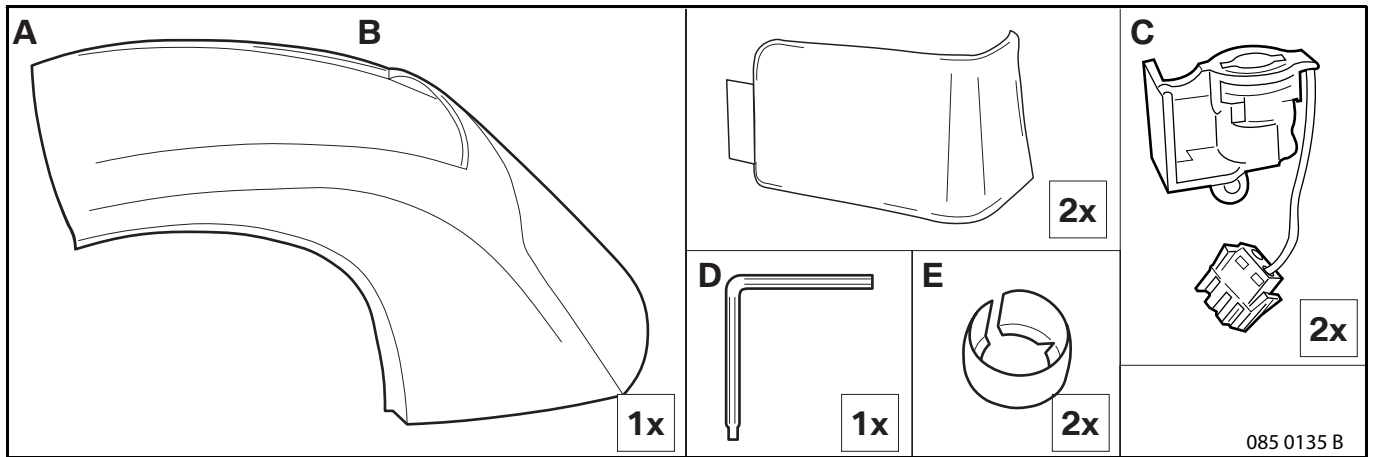
Section	Page
Important information.....	1
1. Preparations.....	3
2. Parts list .....	4
3. To install the hardtop.....	5

# 1. Preparations

To install the hardtop mounting	<b>TIS instruction No.</b>
	54 31 200

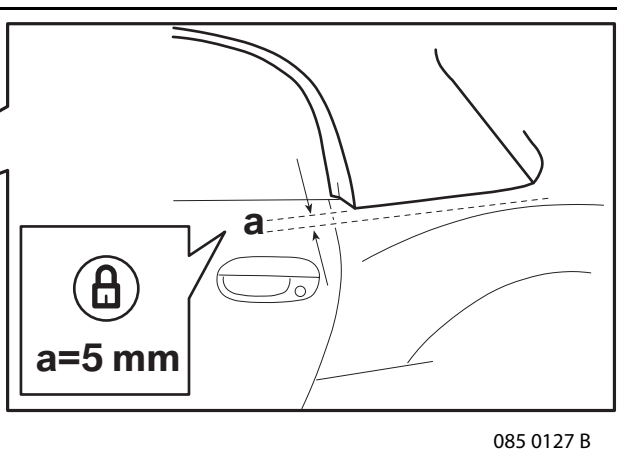
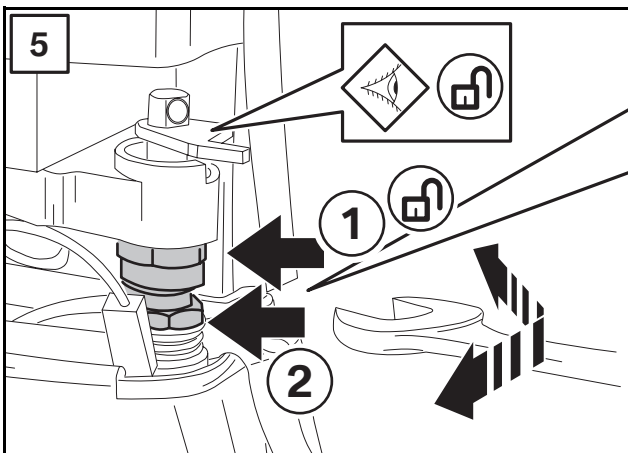
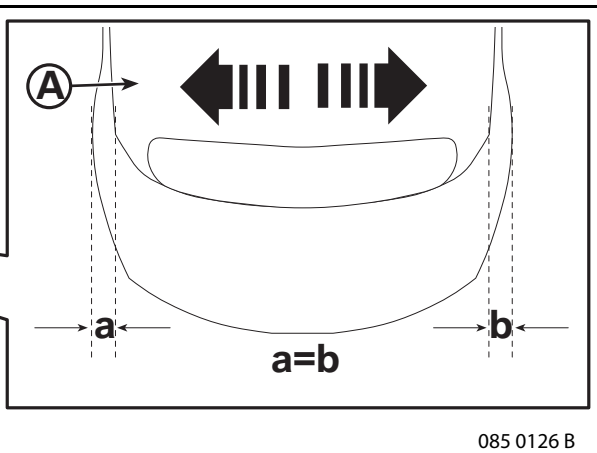
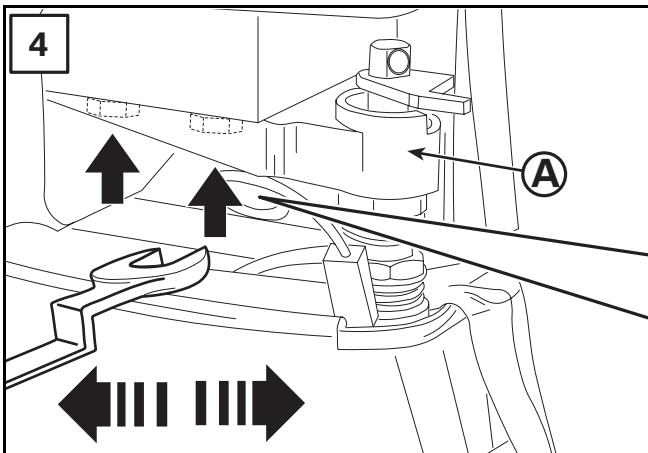
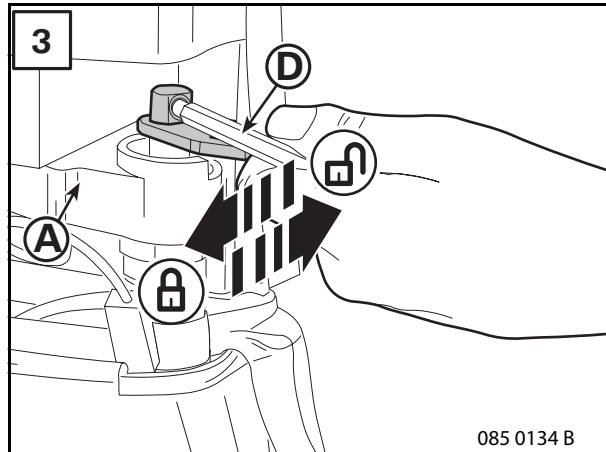
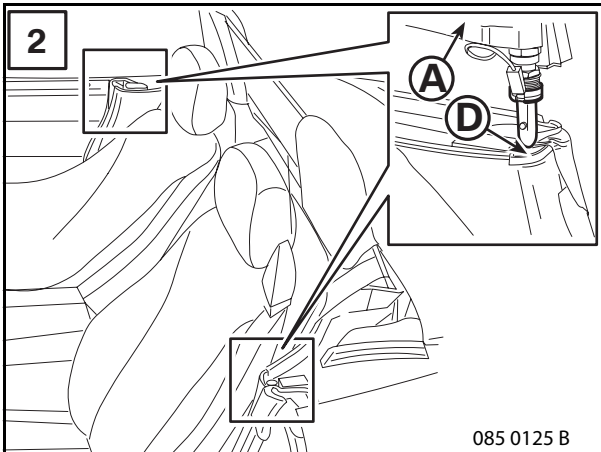
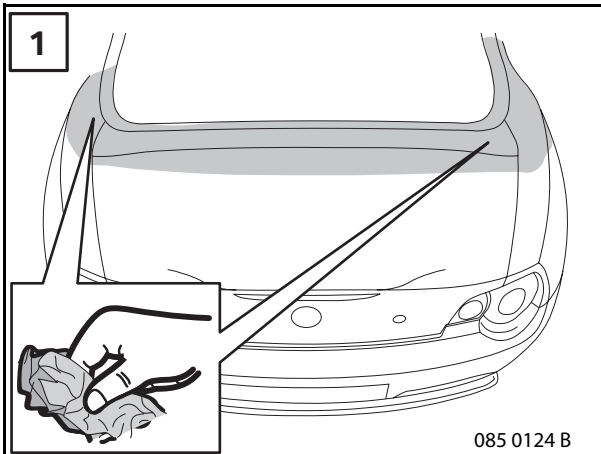
## 2. Parts list

0

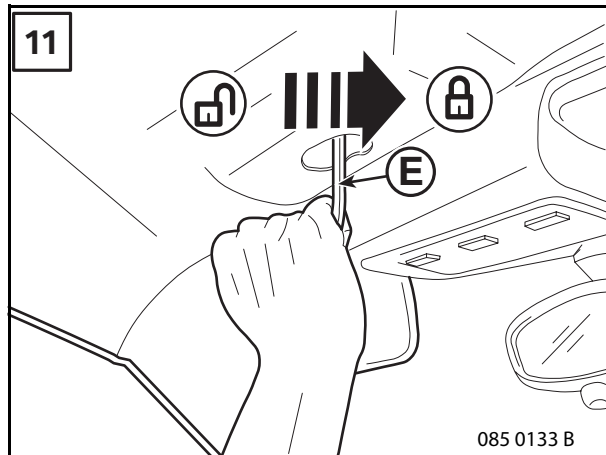
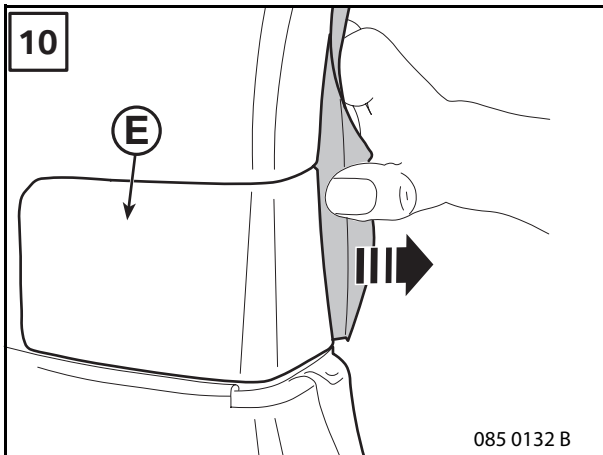
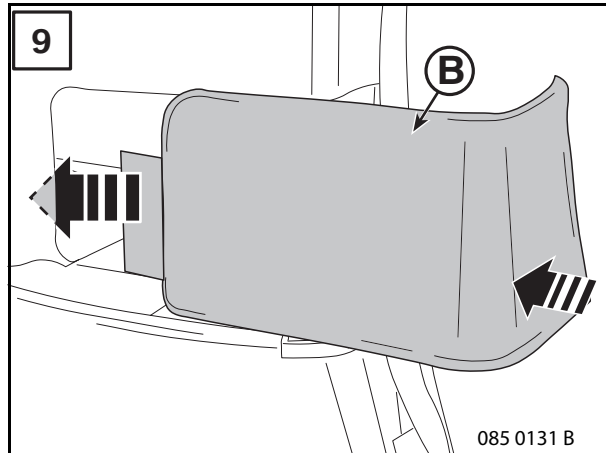
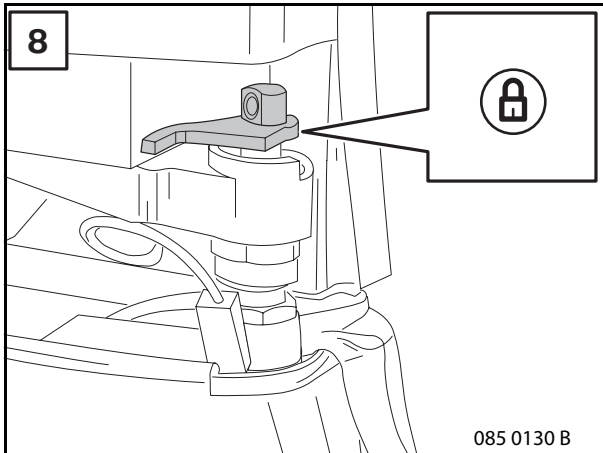
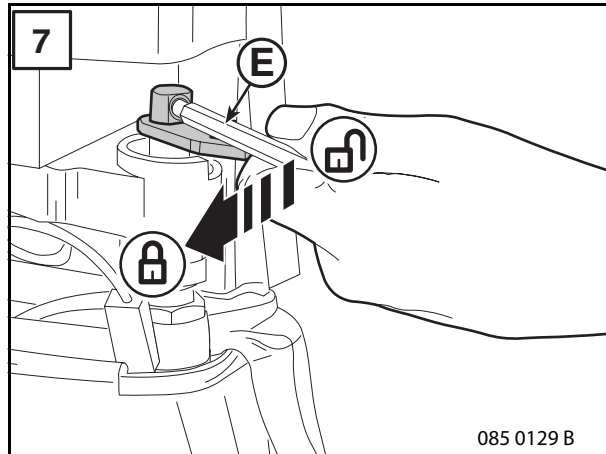
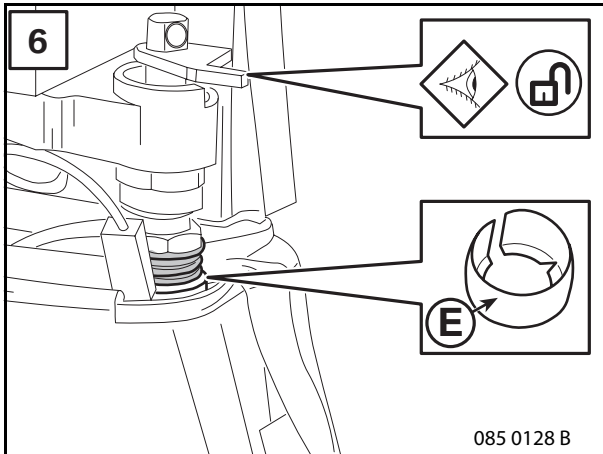


### 3. To install the hardtop

° Clean the contact surfaces on the car and the hardtop well.



3. To install the hardtop



## Symbols

### • Explanatory text for the symbols

#### Information

· Note	01
· Safety note	02
· See workshop manual (TIS)	03
· See specified figure	04
· Right	05
· Wrong	06
· Dispose of / Do not reuse	07
· Fire risk	08
· Wear protective gloves	09
· Maximum load	10
· In car at front	11
· In car at rear	12
· Left-hand drive car	13
· Right-hand drive car	14

#### Activities

· Movement arrow	15
· Position arrow	16
· Disconnect	17
· Connect	18
· Wait specified time	19a - 19b
· Protect against corrosion	20
· Clean with sponge and water	21
· Clean	22
· Attach with adhesive tape	23
· Use a hot air blower (with spatula)	24
· Use a spatula	25
· Disconnect the battery	26
· Connect the battery	27
· Can be car-washed after ..... hours	28

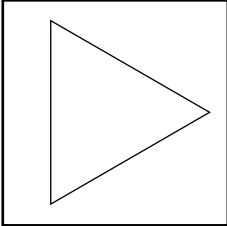


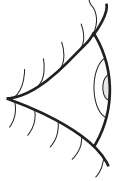

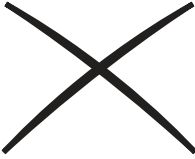
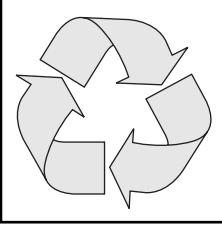

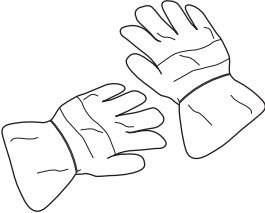
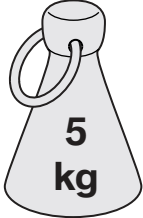
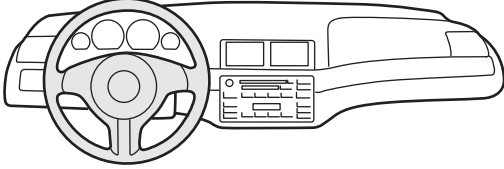
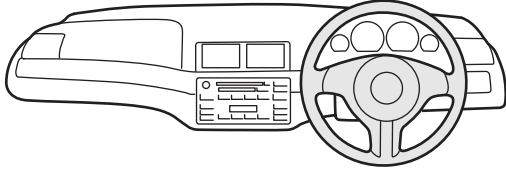
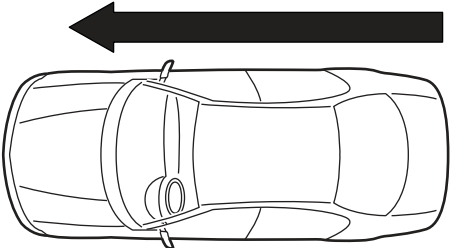
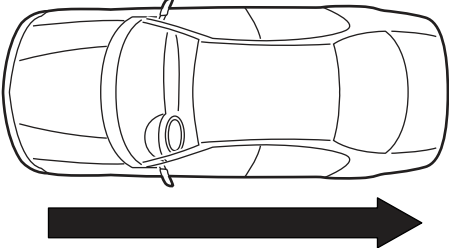
#### Tools / special tools

· Mark	29
· Scribe	30
· Peen	31
· Use a drill bit	32

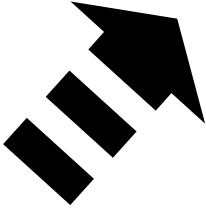
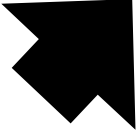
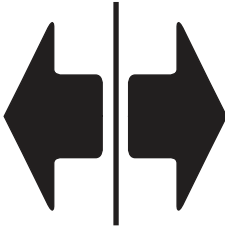
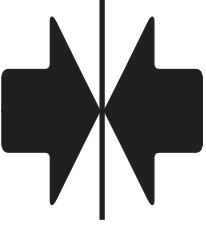
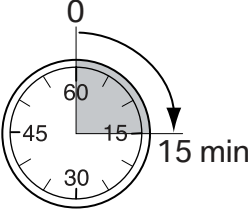
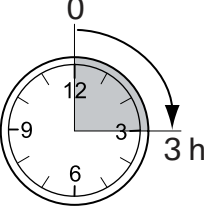
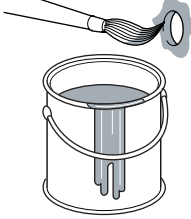

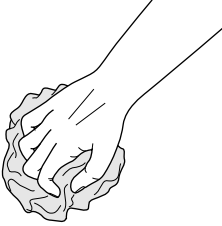
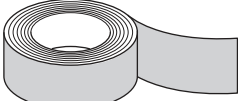

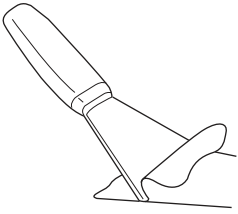
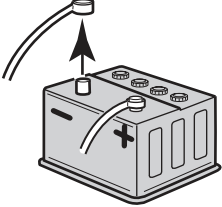
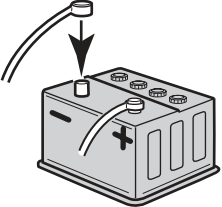
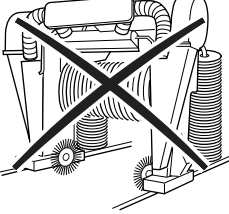
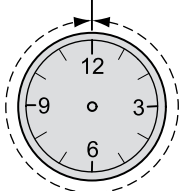
· Use a cylindrical keyhole saw	33
· Use a drill	34
· Drill up to stop	35
· Use a jigsaw	36
· Use a pneumatic saw	37
· Cut out with a knife	38
· Use scissors (cut off)	39
· Use a file	40
· Tighten to specified tightening torque	41
· Screw tight	42
· Use a Philips screwdriver	43
· Use a flat screwdriver	44
· Use a Torx driver	45
· Use a cartridge gun (seal)	46
· Use a rubber mallet	47
· Use a hot air blower	48
· Use crimping pliers	49
· Use an angle cutter	50
· Use combination pliers	51
· Use a riveter for blind rivets	52



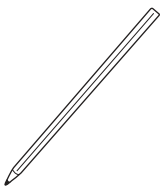
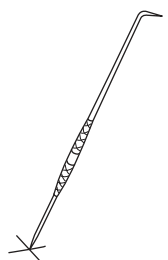
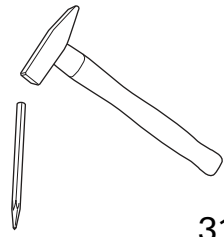
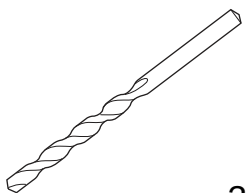
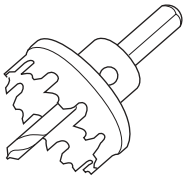
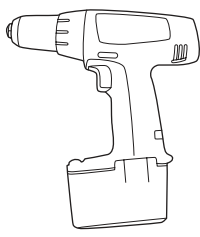
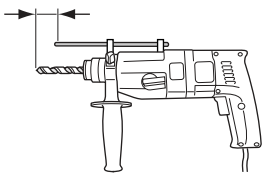
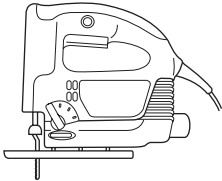
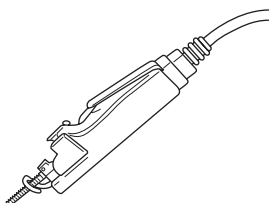
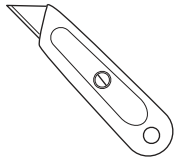

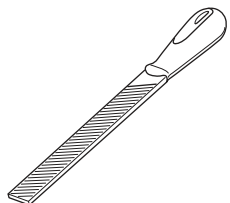
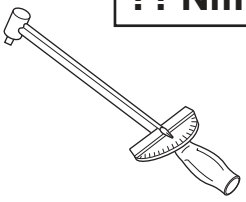
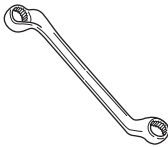
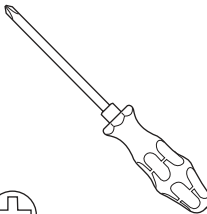
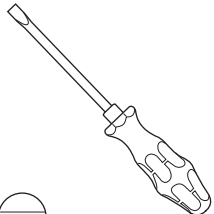
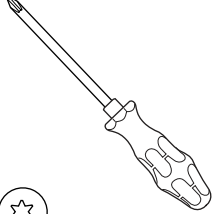
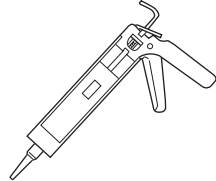
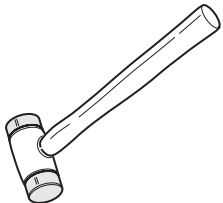
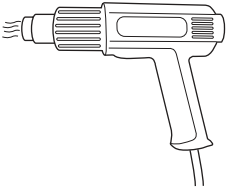
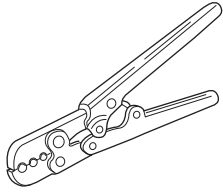
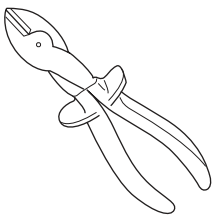
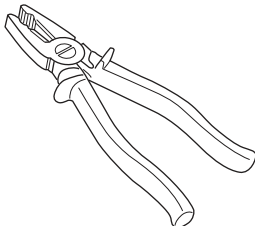
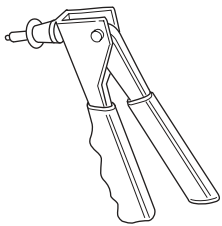
Information

 <p>01</p>	 <p>02</p>	 <p>TIS-Nr. ....</p> <p>03</p>	 <p>18</p> <p>04</p>
 <p>05</p>	 <p>06</p>	 <p>07</p>	 <p>08</p>
 <p>09</p>	 <p>5 kg</p> <p>10</p>		
 <p>11</p>	 <p>12</p>		
 <p>13</p>	 <p>14</p>		

# Activities

 <p>15</p>	 <p>16</p>	 <p>17</p>	 <p>18</p>
 <p>19a</p>	 <p>19b</p>	 <p>20</p>	 <p>21</p>
 <p>22</p>	 <p>23</p>	 <p>24</p>	 <p>25</p>
 <p>26</p>	 <p>27</p>		 <p>h</p> <p>28</p>

Tools / special tools

 <p>29</p>	 <p>30</p>	 <p>31</p>	<p><b>Ø ?? mm</b></p>  <p>32</p>
<p><b>Ø ?? mm</b></p>  <p>33</p>	 <p>34</p>	<p><b>?? mm</b></p>  <p>35</p>	 <p>36</p>
 <p>37</p>	 <p>38</p>	 <p>39</p>	 <p>40</p>
<p><b>?? Nm</b></p>  <p>41</p>	 <p>42</p>	 <p>43</p>	 <p>44</p>
 <p>45</p>	 <p>46</p>	 <p>47</p>	 <p>48</p>
 <p>49</p>	 <p>50</p>	 <p>51</p>	 <p>52</p>