



BMW Parts and Accessories Installation Instructions

Alarm Kit Installation Instructions

for BMW Z4 (E85) US roadster Beginning Production September 2002

KIT P/N 65 73 0 152 393

BMW of North America, LLC

Product & Service Engineering Dept.

September 2002

GENERAL INFORMATION

INTRODUCTION

These installation instructions were produced to give the installation technician all necessary information to install the BMW Alarm Kit into factory pre-wired Z4 roadster vehicles produced beginning September 2002.

These instructions were developed by the Product and Service Engineering Department at BMW of North America, LLC specifically for BMW vehicles and are not to be compared to any existing products for vehicles other than BMW.

These instructions were complete and up to date at time of issue. Any changes in the vehicle or problems encountered by installation technician should be reported directly to the BMW Product and Service Engineering Department.

Read all instructions carefully before proceeding with this installation procedure. Instructions dealing with a stock part of the vehicle, but not given in detail should be referenced with the latest service, technical and diagnostic information provided on the DISPlus/GT1.

Left hand (LH) and right hand (RH) referenced in these instructions are determined from the driver's seat facing forward.

REQUIRED TOOLS

Common hand tools

Torx[®] 20 bit or driver

Torx[®] 30 bit or driver

Release bracket tool (pair) P/N 65 5 400

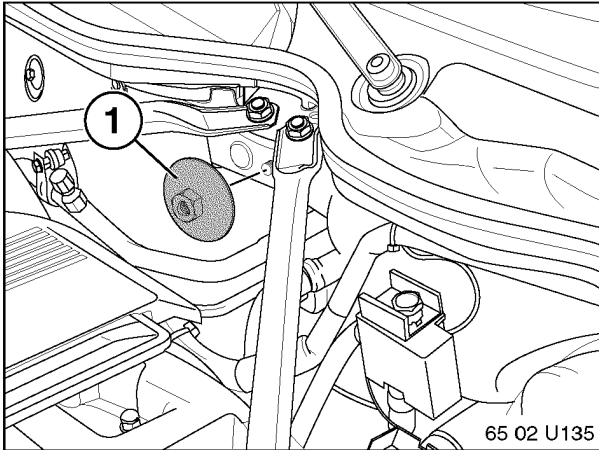
KIT PARTS CONTENTS

1 ea.	61 31 8 352 229 Switch	1 ea.	65 75 8 383 153 Siren (USA)
1 ea.	61 31 6 915 326 Bracket for switch	1 ea.	65 75 6 908 841 Bracket for siren
1 ea.	65 75 6 923 208 Tilt sensor	3 ea.	11 61 1 708 413 M6 hex nut w/washer
2 ea.	16 13 1 176 747 Plastic nut	1 ea.	07 11 9 901 299 ST4.8x16 screw w/washer
1 ea.	07 12 9 904 323 ST4.8-2 cage clip		

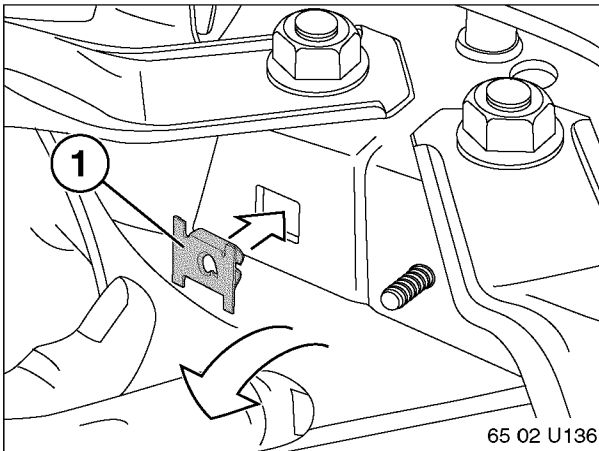
Contents

Section	Page
General Information	1
Introduction	1
Required Tools	1
Kit Parts Contents.....	1
Contents.....	2
1. Alarm Hood Switch Installation	3
2. Alarm Inclination (tilt) Sensor Installation	4
3. Alarm Siren Installation	7
4. Coding of Alarm System	9

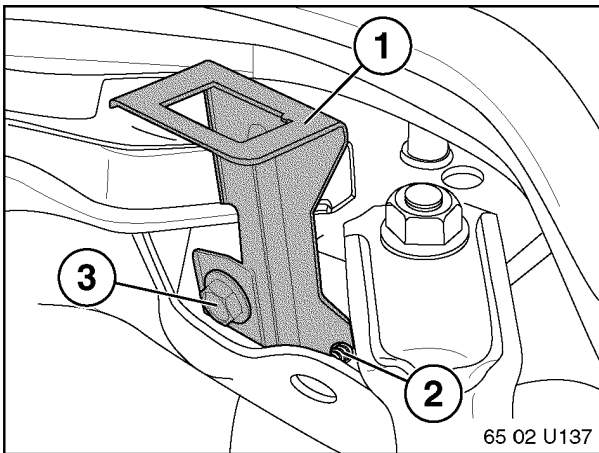
1. Alarm Hood Switch Installation



- 1.1
Locate and remove plastic fastener (1).

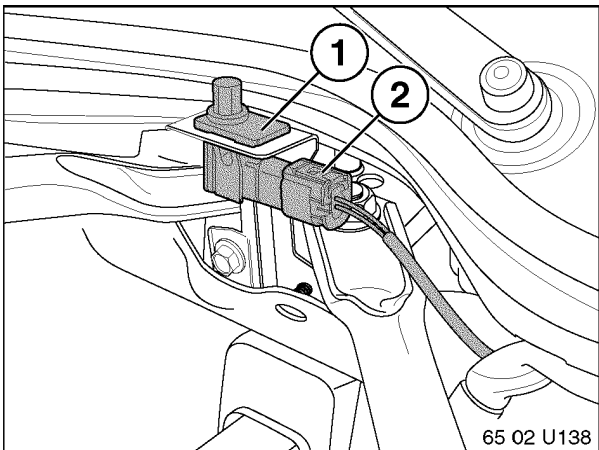


- 1.2
Push down cover to install clip (1) in rectangular shaped hole.



- 1.3
Position hood switch bracket (1) so that threaded stud (2) makes contact with the lower point area of bracket. Secure in place with M6 bolt (3).

- 1.4
Locate (will require unwrapping from securing tape) the 3-position hood switch connector found taped to a branch harness behind brake master cylinder.

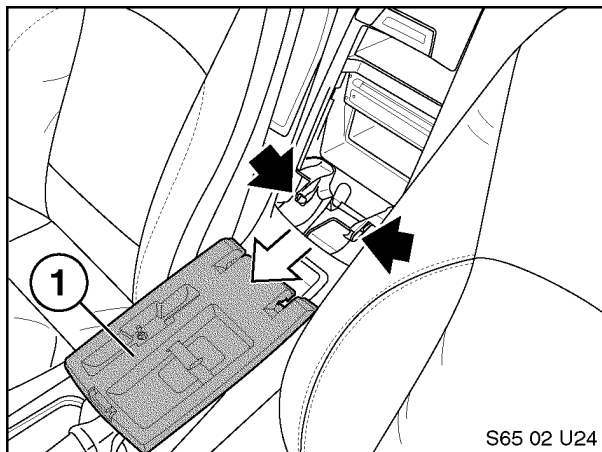


- 1.5
Install hood switch (1) into bracket.

- 1.6
Install harness connector (2) to mating connector on hood switch as shown.

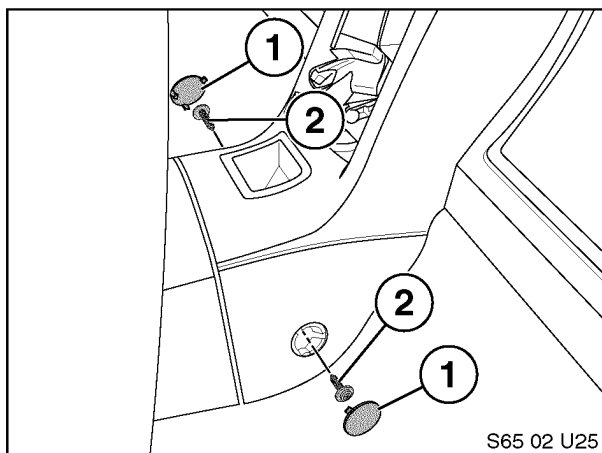
- 1.7
Replace cover over assembly and secure in place with plastic fastener previously removed in step 1.1.

2. Alarm Inclination (tilt) Sensor Installation

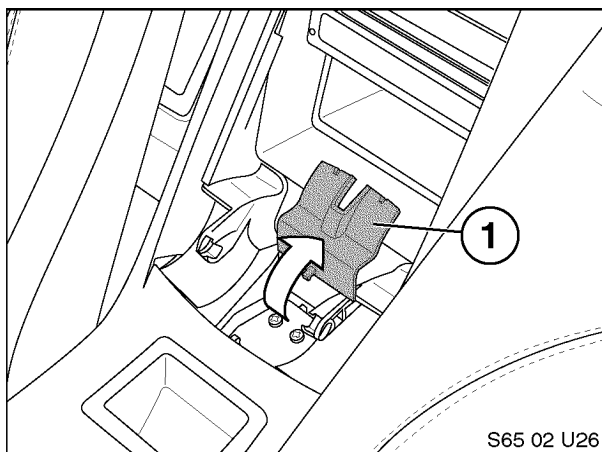


Note: For ease of installation, it is advisable to lower the roof before proceeding with this section of the installation.

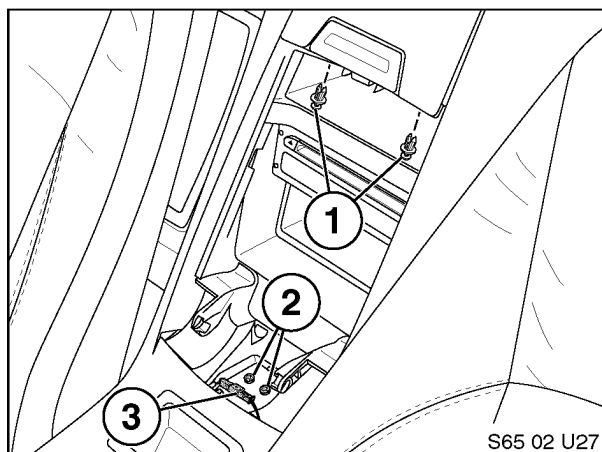
2.1
Open oddments box cover. Firmly grasp oddments box cover (1) and pull forward to remove from mounting pivoting points (black arrows).



2.2
Remove RH and LH covers (1) and remove screws (2) as shown.



2.3
Pry out inner trim piece (1) as shown.



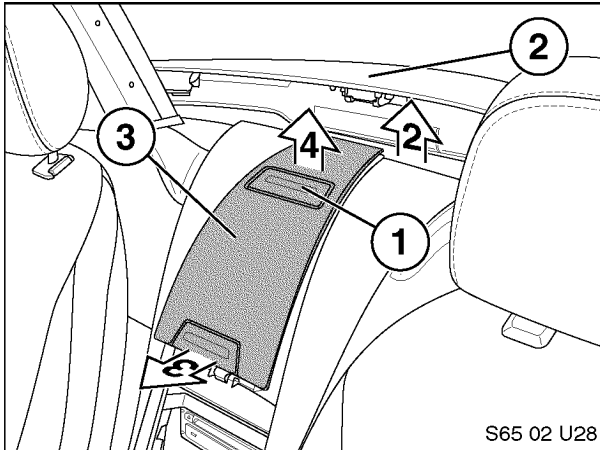
2.4
Remove pair of plastic retainers (1).

2.5
Remove pair of Torx[®] head screws (2).

2.6
Disconnect connectors (3) as shown.

Note: Before proceeding further, the roof must be positioned slightly upward (on power roof option vehicles momentarily power roof upward) about 2 inches (53 mm) above rear trunk profile to allow disassembly of oddments upper cover.

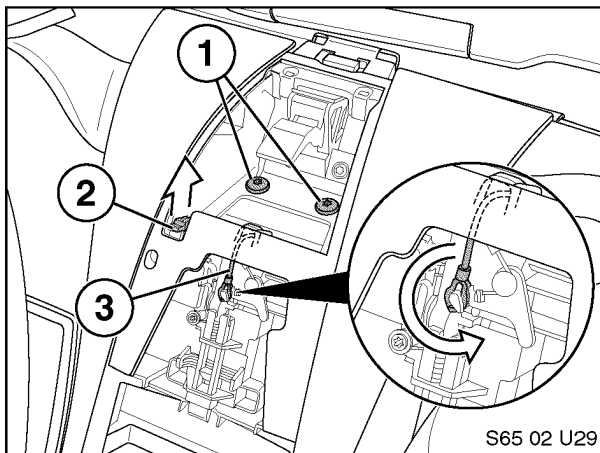
2. Alarm Inclination (tilt) Sensor Installation



Note: It is necessary to perform steps 2.7 and 2.8 in strict sequence to avoid damaging retaining points on interior of oddments cover.

2.7
Press roof lock release control (1).

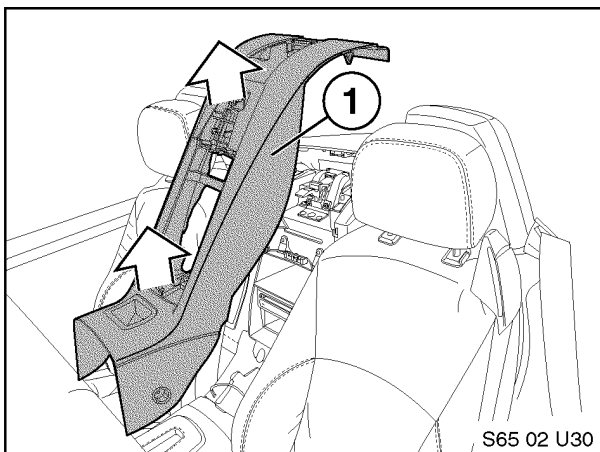
2.8
Carefully pull up slightly on upper edge of oddments cover (arrow 2) while simultaneously pulling outward on lower edge of oddments cover (arrow 3) to allow oddments cover (3) to be removed upward (arrow 4).



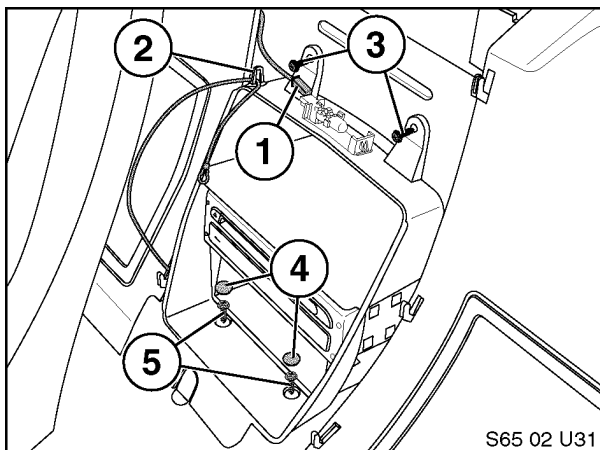
2.9
Remove pair of Torx[®] head screws (1).

2.10
Disconnect connectors (2) as shown.

2.11
Remove oddments box lock emergency release cord end (3) by turning cord end "loop" until it matches up with lock mechanism cam to remove cord end "loop" from mechanism. Route cord away from oddments box frame.



2.12
Remove oddments box (1) as shown.



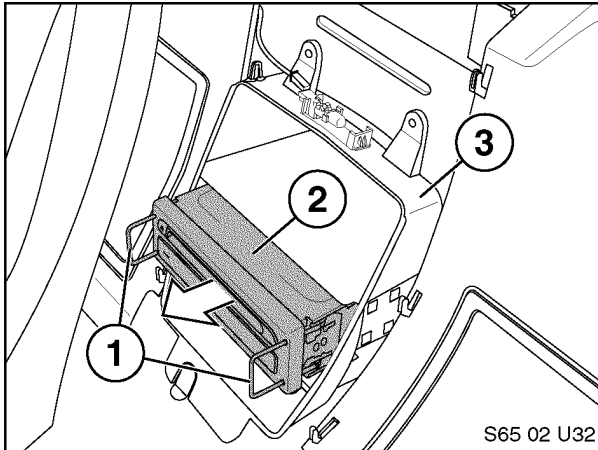
2.13
Disconnect light from connector (1) as shown.

2.14
Route cord through hoop (2).

2.15
Remove pair of upper mounting screws (3).

2.16
Remove pair of covers (4). Remove pair of lower mounting screws (5).

2. Alarm Inclination (tilt) Sensor Installation

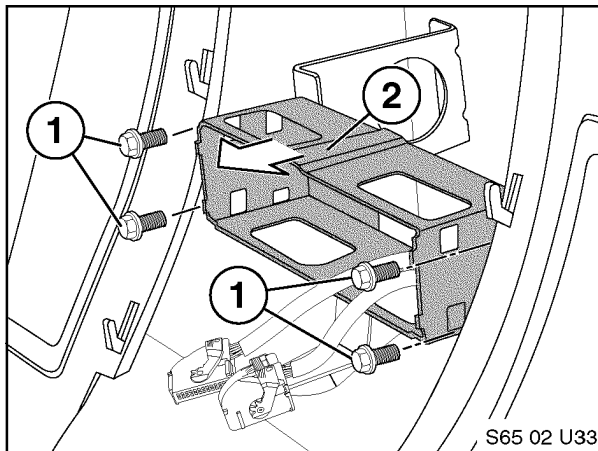


2.17

Release navigation CD changer (2) from mounting bracket using pair of release bracket tool (1) as shown. Remove oddments mounting frame (3).

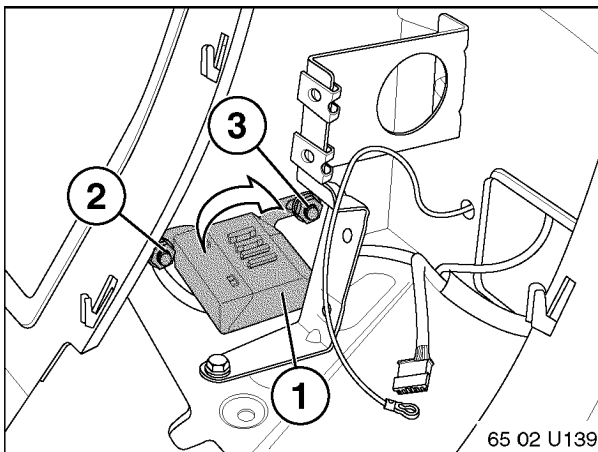
2.18

Locate and disconnect pair of multi-position connectors and remove navigation CD changer.



2.19

Remove mounting hardware (1) to remove navigation CD changer mounting bracket (2).

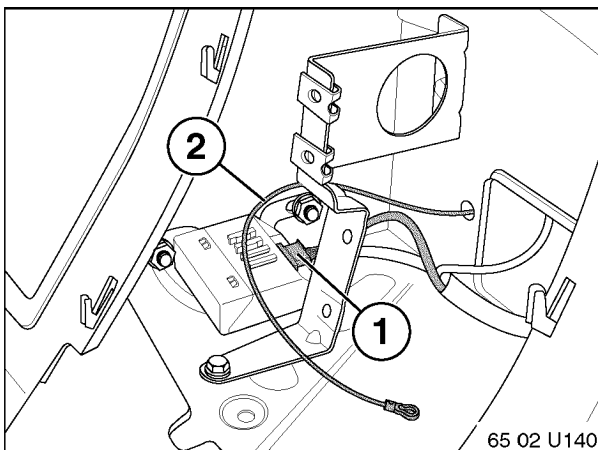


2.20

Position tilt sensor (1) onto protruding threaded studs (2) and (3) of RH speaker compartment. Depending on installation of other accessory options, it may be necessary to pivot the tilt sensor into position. Secure tilt sensor in place with pair of plastic nuts.

2.21

Locate (will require unwrapping from securing tape) the 6-position tilt sensor connector found taped to a branch harness on the side of oddments box cavity.



2.22

Position 6-position connector harness so that it in no way comes in contact or interferes with the oddments emergency release cord (2).

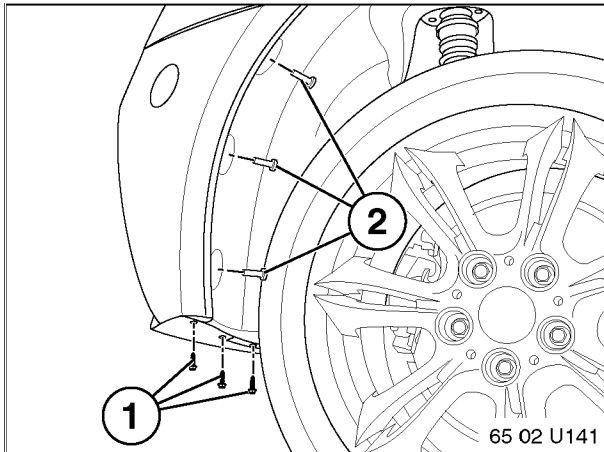
2.23

Install harness connector (1) to mating connector on tilt sensor as shown.

2.24

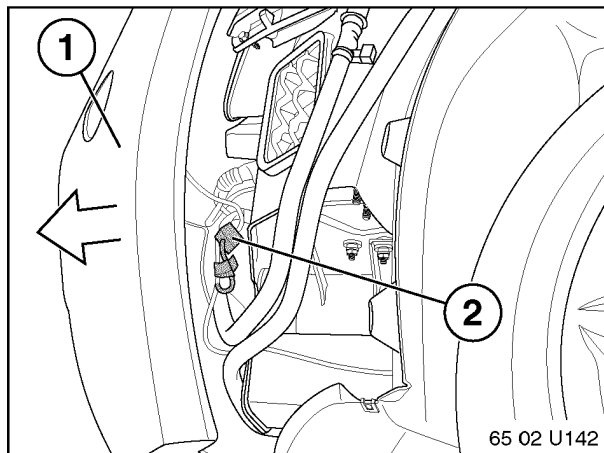
Reassemble all previously displaced or removed items.

3. Alarm Siren Installation

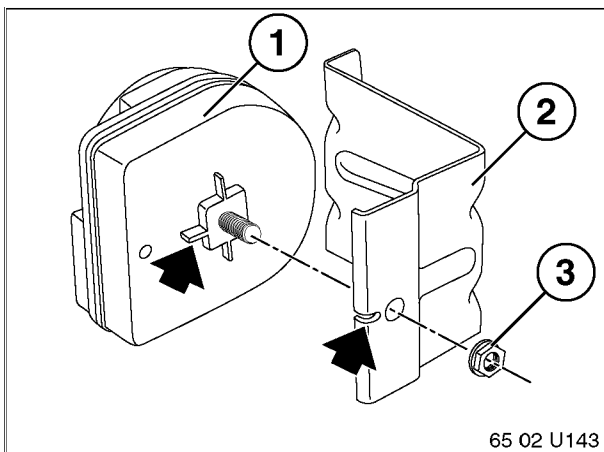


3.1
Remove the three hex head self tapping screws (1) from RH corner area of rear bumper as shown.

3.2
Remove the three plastic rivets from RH rear wheel well as shown.



3.3
Slightly displace RH corner area of rear bumper (1) from RH wheel well area by about 10 inches (25.5 mm) to allow access to charcoal canister area (2) as shown.

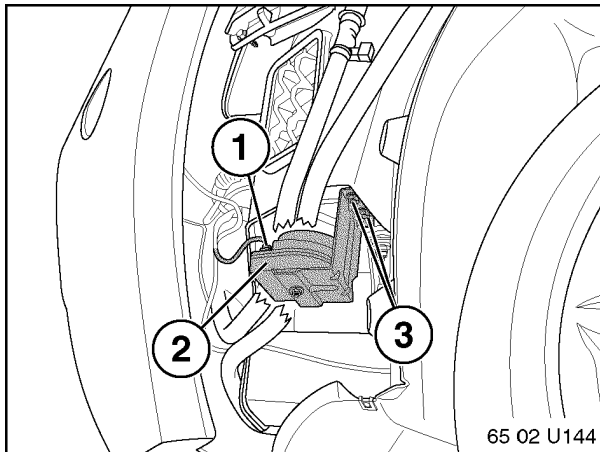


Note: Make sure notch on bracket aligns with indicated ridge (note black arrows).

3.4
Position alarm siren (1) to mounting bracket (2) as shown.

3.5
Secure alarm siren (1) to bracket (2) with M6 nut with captive flat washer (3).

3. Alarm Siren Installation



3.6

Locate (will require unwrapping from securing tape) the 4-position siren connector found taped to the carbon canister branch harness.

3.7

Connect 4-position alarm siren connector (1) to alarm siren (2).

3.8

Position alarm siren/bracket assembly so that pair of threaded studs (3) protrude through the pair of holes on bracket as shown.

3.9

Secure alarm siren/bracket assembly in place with pair of M6 nuts with captive flat washers.

3.10

Reassemble all previously displaced or removed items.

4. Coding of Alarm System

Important: Make sure CIP Version 3.0 or higher has been loaded in DIS Tester before proceeding.

4.1

Connect vehicle to DISPlus/GT1. Display DIS main page on DISPlus/GT1 screen. Press the “Coding/Program” field.

4.2

BMW **Coding/programming** menu page will appear. Press the “E65/E66/E85” field, then press right green arrow.

4.3

CIP “Model series selection:” page will appear. Press the “E85” field.

4.4

CIP “Program SELECTION:” page will appear. Press the “Load SW” oval field on top of page.

4.5

Load software “Have control modules been replaced on this car? Note: for retrofits press No.” page will appear. Press the “No” field.

Important: At this point, one of two scenarios will occur.

1. The program will look for appropriate operating levels of all control modules. If no anomalies are detected, the following page will appear:

- **Load software** “Select control module to be processed.” After this page appears, proceed to step 4.6 and continue with instructions.

2. The program will look for appropriate operating levels of all control modules. If any anomalies are detected, the following page will appear:

- **Load software** “Status report”. After this page appears, press the “Cancel Update” field on bottom right of page.
- The **Load software** “Select control module to be processed.” page will now appear. After this page appears, proceed to step 4.6 and continue with instructions.

4.6

Once the **Load software** “Select control module to be processed.” page appears, press the “Retrofits” field on bottom right of page.

4.7

Load software “Select retrofitting.” page will appear. Press the “Retrofits” field on top right of page.

4.8

Load software “Add retrofits” page will appear. Press the “DWA” field.

4.9

Load software “Select subfunction for retrofitting or cancel with arrow in navigation column page will appear. Press the “Add” field.

4.10

Load software “Turn on ignition” page will appear. Turn on vehicle’s ignition. Press the “Continue” field on bottom of page.

4.11

Load software “Is ignition on?” page will appear. Press the “Yes” field.

4.12

Load software “Final report” page will appear. If alarm coding was completely successful, green check marks will appear in operations field. If any problems were encountered, a red “X” will appear and list each fault.

4.13

Press the “Print” oval field on top of page to print out final report.

4. Coding of Alarm System

4.14

Press the "Finish" field on bottom left of page.

4.15

If there are all green check marks in Final report operations field, alarm coding has been successfully completed. No further action is necessary.

4.16

If there are any red "X" marks in Final report operations field, terminate from CIP. Start diagnosis program to clear fault memory. Re-enter CIP and retry coding of alarm system beginning at step 4.1.

4.17

If faults still persist, diagnose and correct faults. Clear fault memory and retry coding of alarm system beginning at step 4.1.