



Parts and Accessories Installation Instructions

Aerodynamic Package Retrofit Kit LHD and RHD

BMW Z4 (E85)

Technical and electrical knowledge required

Important information

Only for use in the BMW dealer organisation.

The target group for these installation instructions is specialist personnel trained on BMW cars with the appropriate specialist knowledge.

All work must be completed using the latest repair manuals, circuit diagrams, servicing manuals and work instructions in a rational order using the prescribed tools (special tools) and observing current health and safety regulations.

Item numbers refer only to the overview drawing and to the texts next to the appropriate figure.

Subject to technical modifications.

Installation information

Installation time 1 hour, but this may vary depending on the condition of the car and the equipment in it.

Retrofit kit No.

51 19 0 150 769
51 19 0 150 772
51 19 0 150 773
51 19 0 150 775
51 11 0 149 441
51 11 0 143 442
51 13 0 151 008
51 13 0 151 050
51 13 0 151 051
51 71 0 143 425
51 71 0 143 424
51 12 0 143 423

Required special tools

None

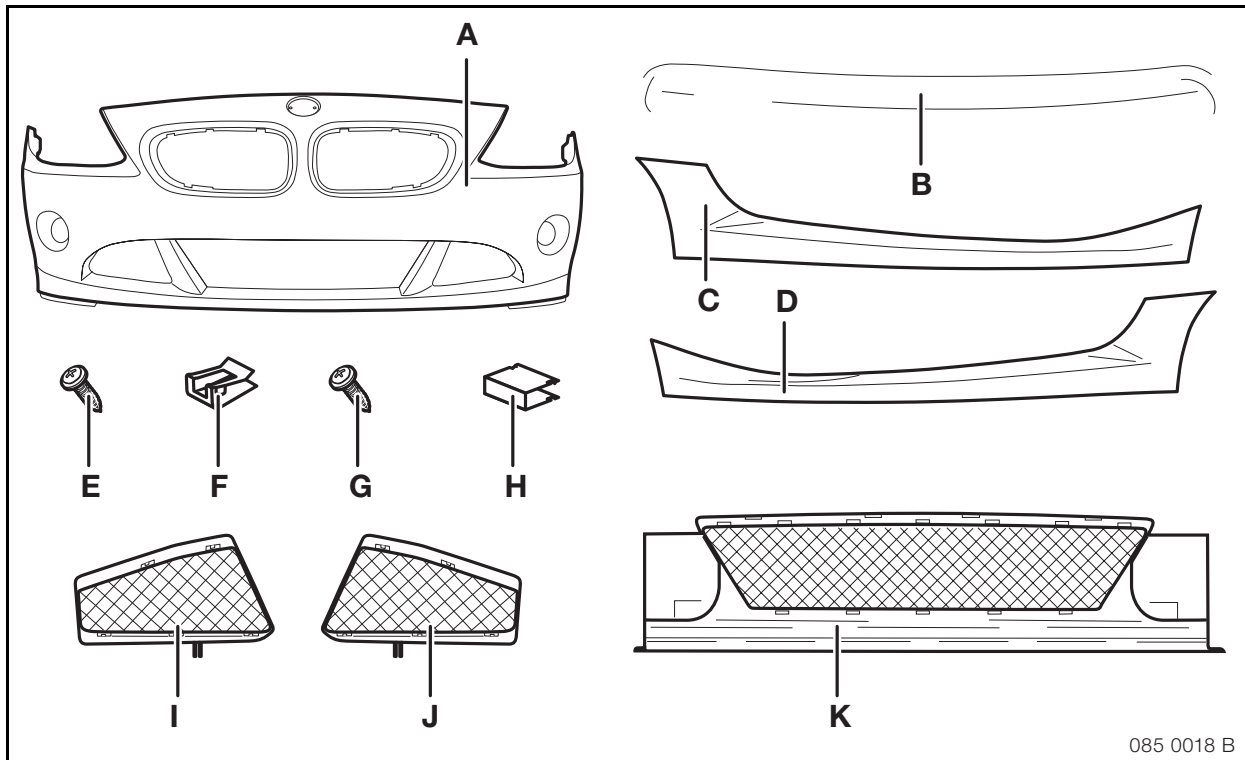
Contents

Section	Page
Important information.....	1
1. Preparations.....	3
2. Parts list	4
3. To install the rear apron and side skirts	5
4. To install the rear apron panel	6

1. Preparations

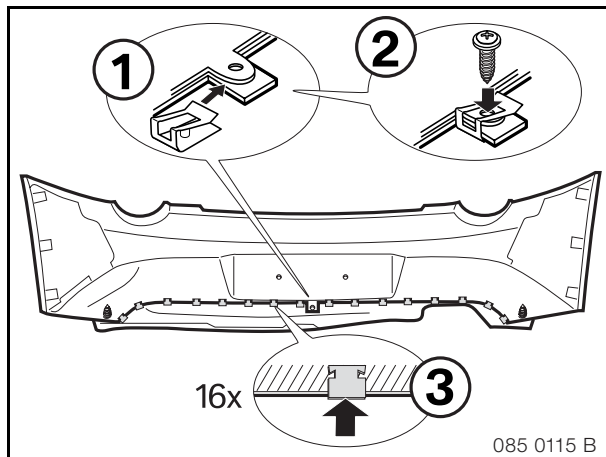
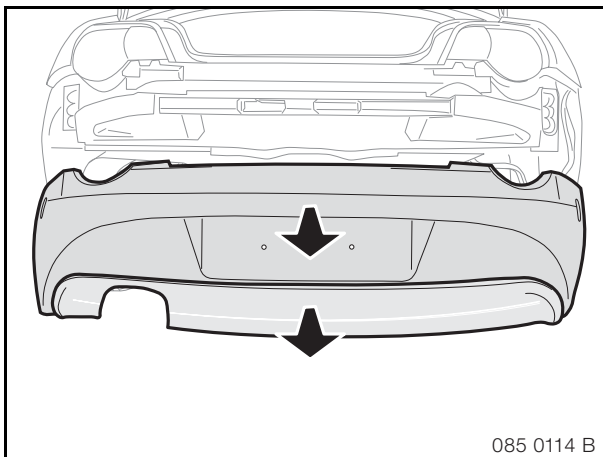
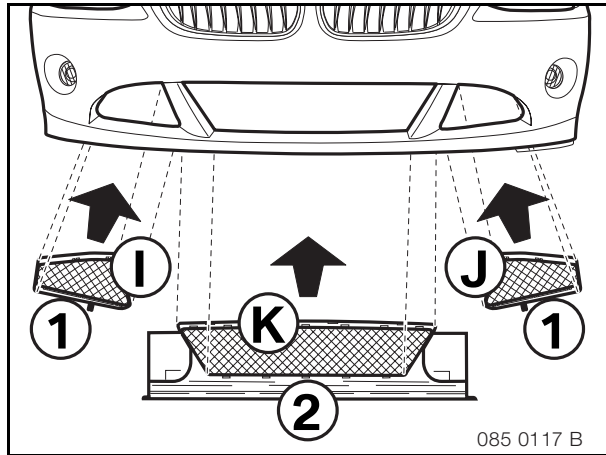
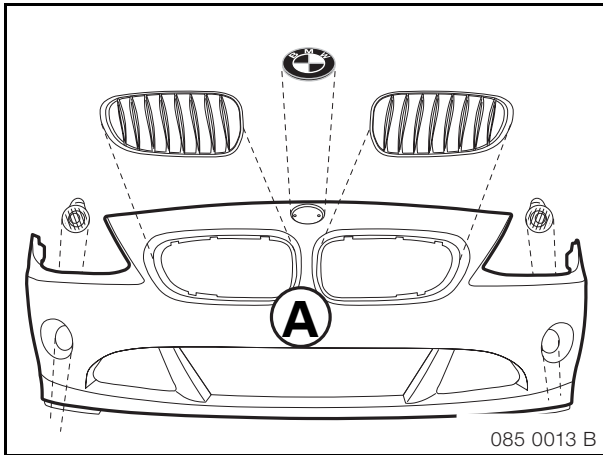
	TIS instruction No.
Remove the front apron	--
Remove the rear apron	--
Remove the side skirt on the right	--
Remove the side skirt on the left	--

2. Parts list

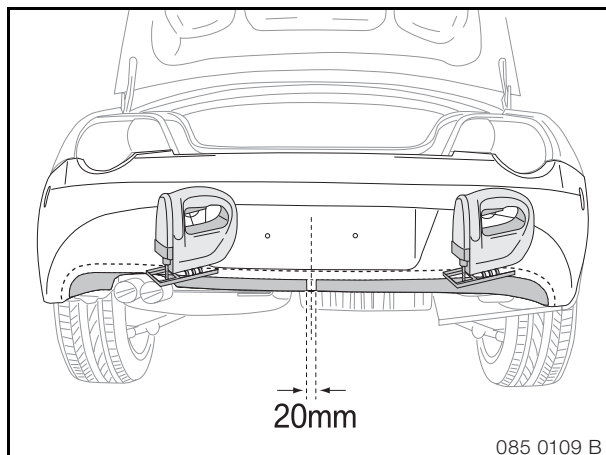
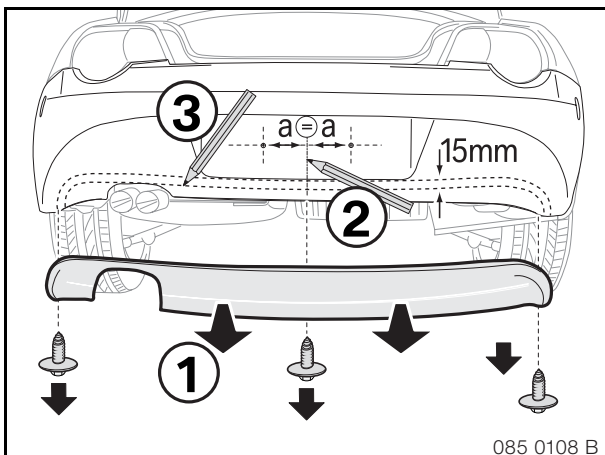
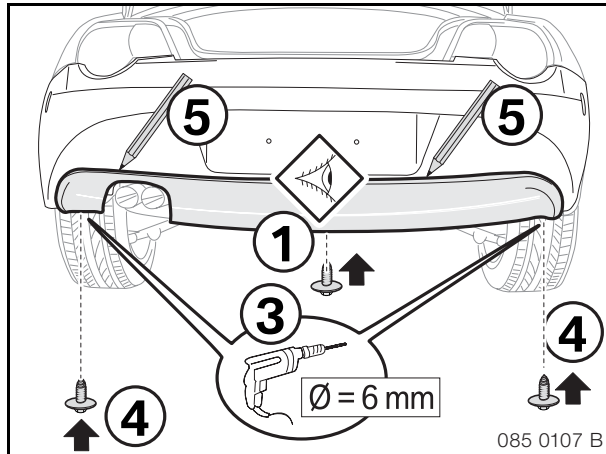
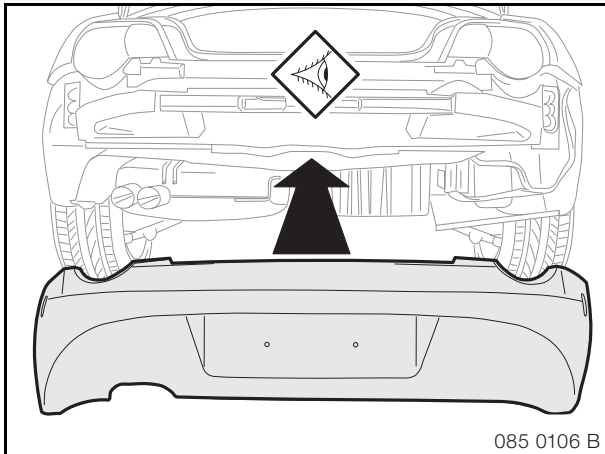
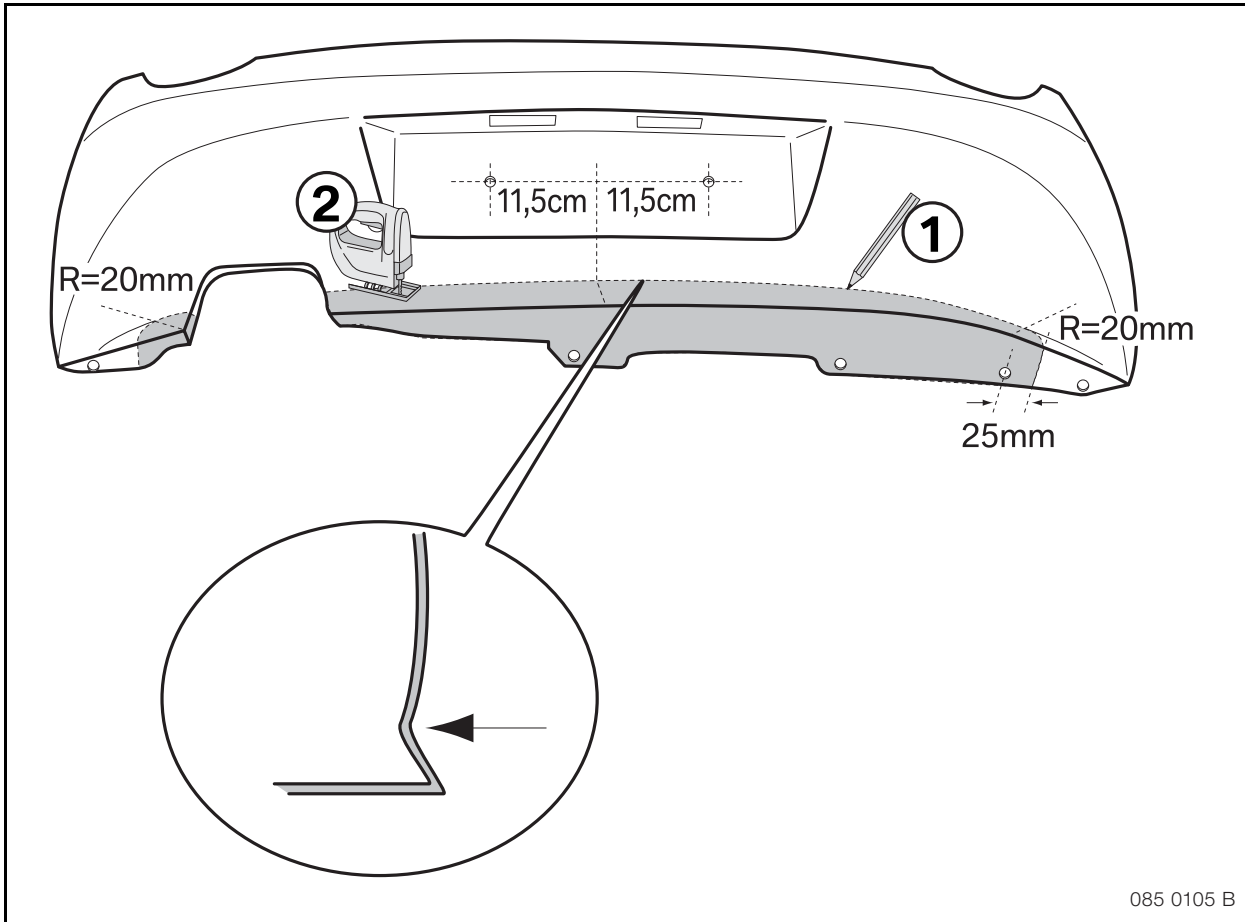


- A Accessory front apron
- B Accessory rear apron panel
- C Accessory side skirt on right
- D Accessory side skirt on the left
- E Plastic self-tapping screw 3 mm (3x)
- F Speed nut
- G Self-tapping screw
- H Clip (16x)
- I Accessory grille front apron on left
- J Accessory grille front apron on right
- K Accessory grille front apron in middle

3. To install the front apron and side skirts



4. To install the rear apron panel



4. To install the rear apron panel

