



Parts and Accessories

Installation Instructions

BMW Accessory Mud Flap (Front/Rear) Installation Kit BMW Z4 (E85)

Important information

Only for use in the BMW dealer organisation.

The mud flaps may only be installed by a specialist workshop that has the requisite expertise.

Subject to technical modifications.

Installation information

Installation time approx. 1.0 hour (0.5 hours for front / 0.5 hours for rear).

Retrofit kit No. 82 16 0 151 580
 82 16 0 151 582 (only valid for cars **without** aerodynamics package)

Contents

Section	Page
Important information.....	1
1. Preparations.....	3
2. Parts list	3
3. To fit the front mud flaps.....	4
4. To fit the rear mud flaps	6

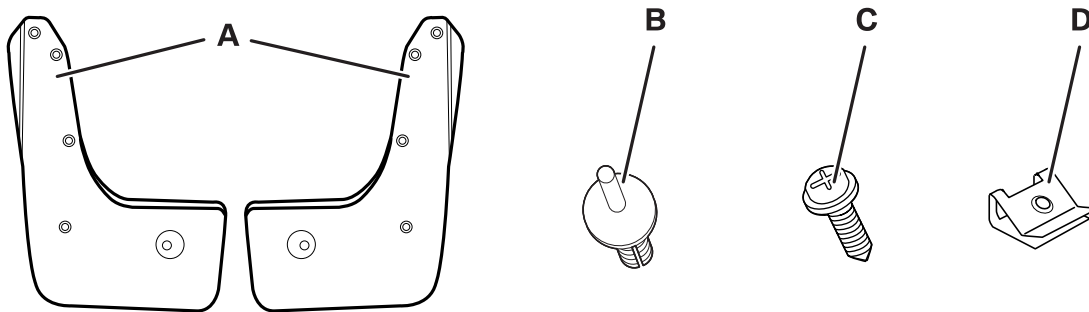
1. Preparations

TIS instruction No.

Remove the rear wheels

2. Parts list

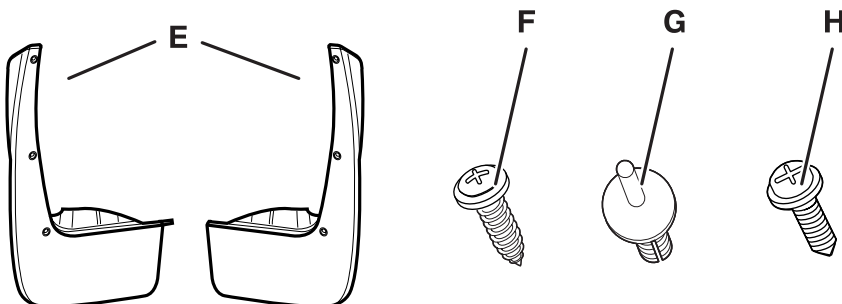
Front mud flaps



085 0098 B

- A Front mud flap (left/right)
- B Plastic expanding rivet (6x)
- C Self-tapping screw (4x)
- D Speed nut (4x)

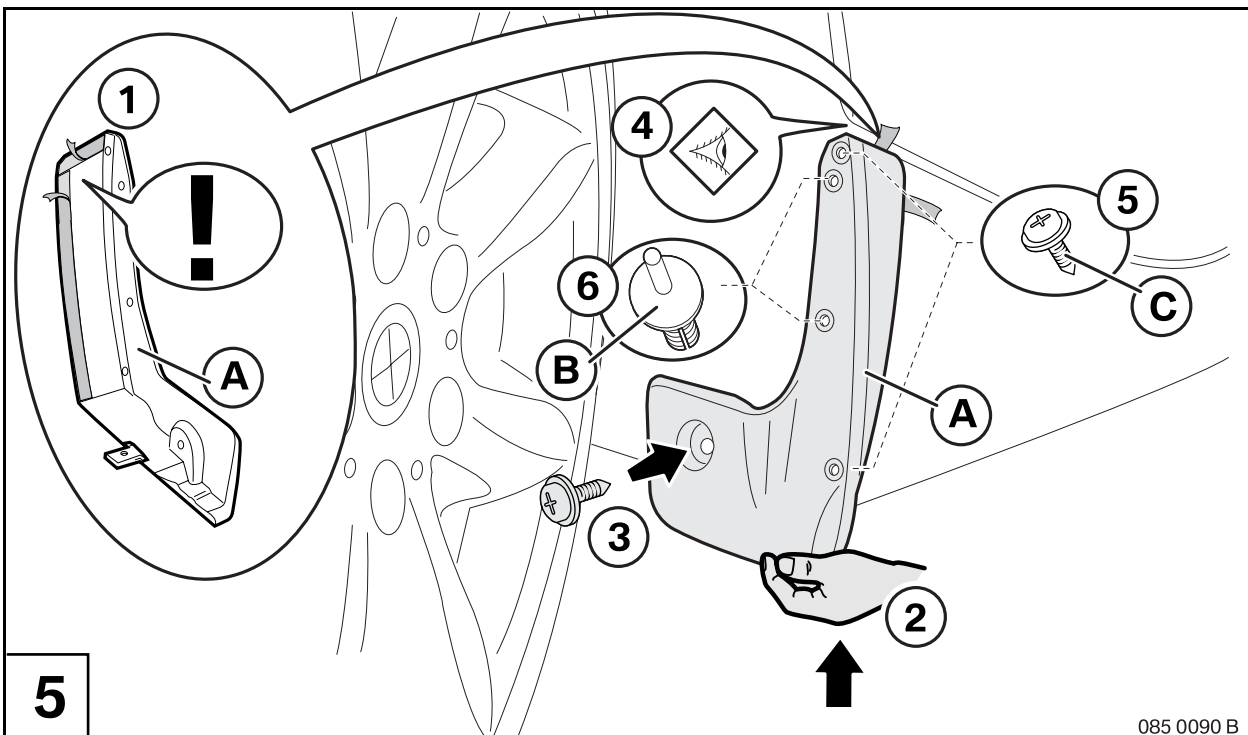
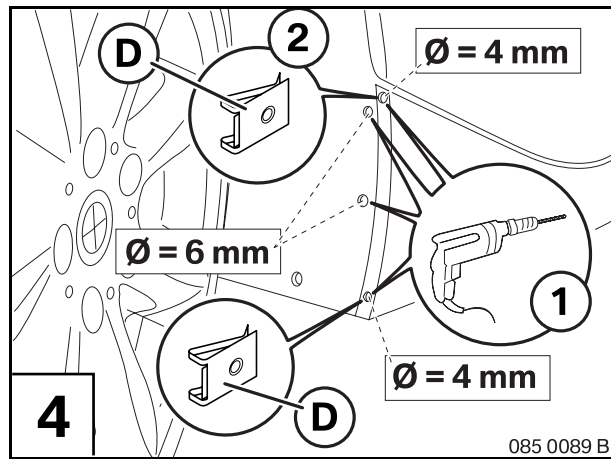
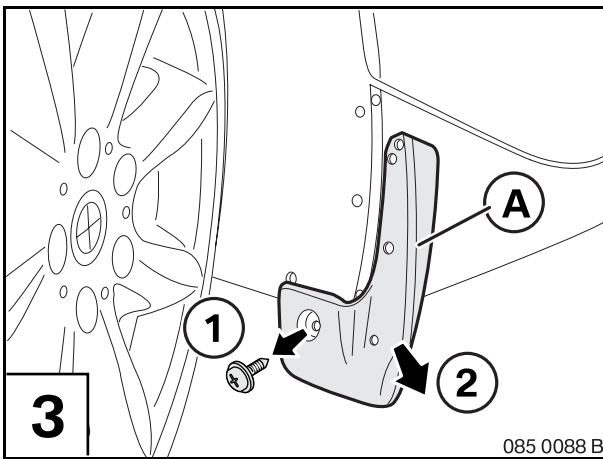
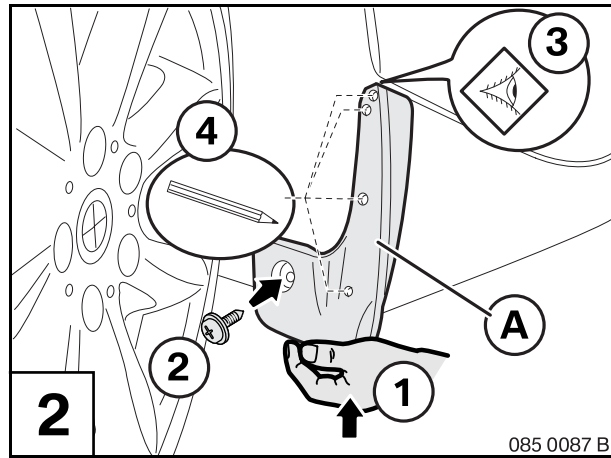
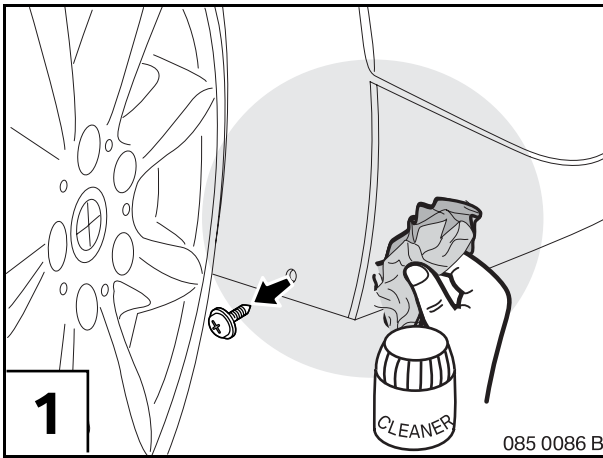
Rear mud flaps



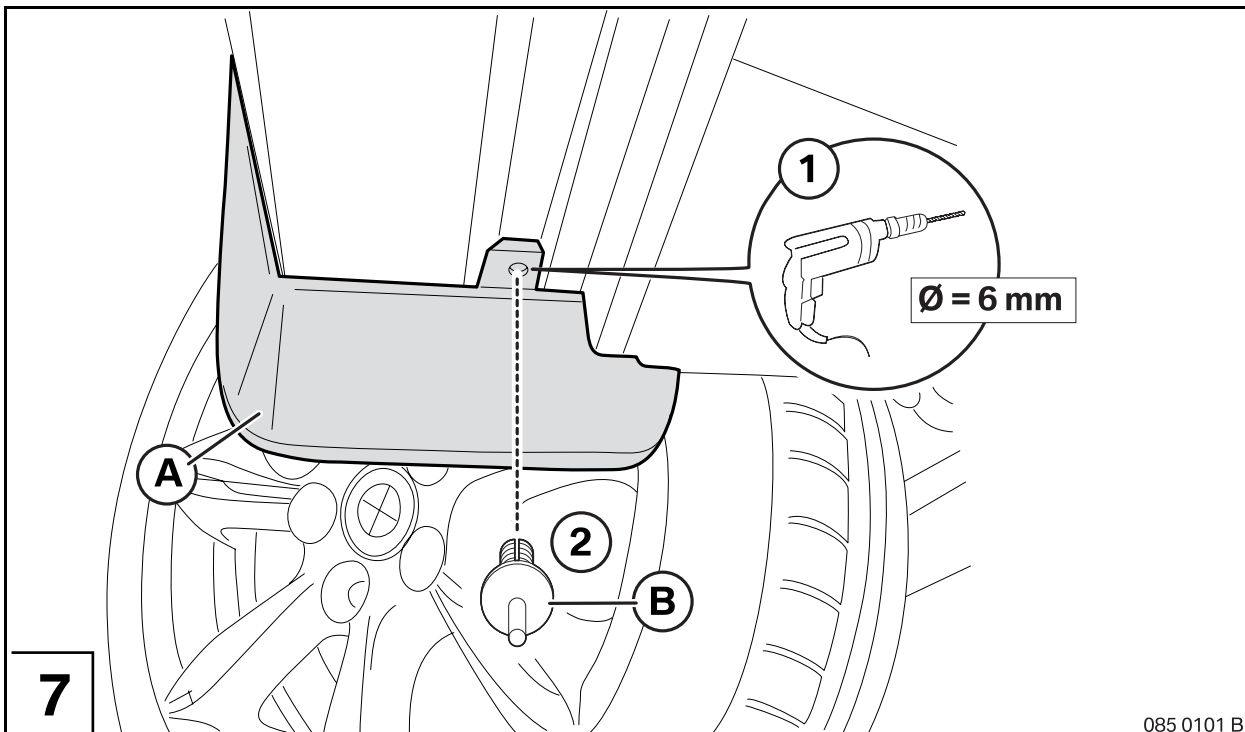
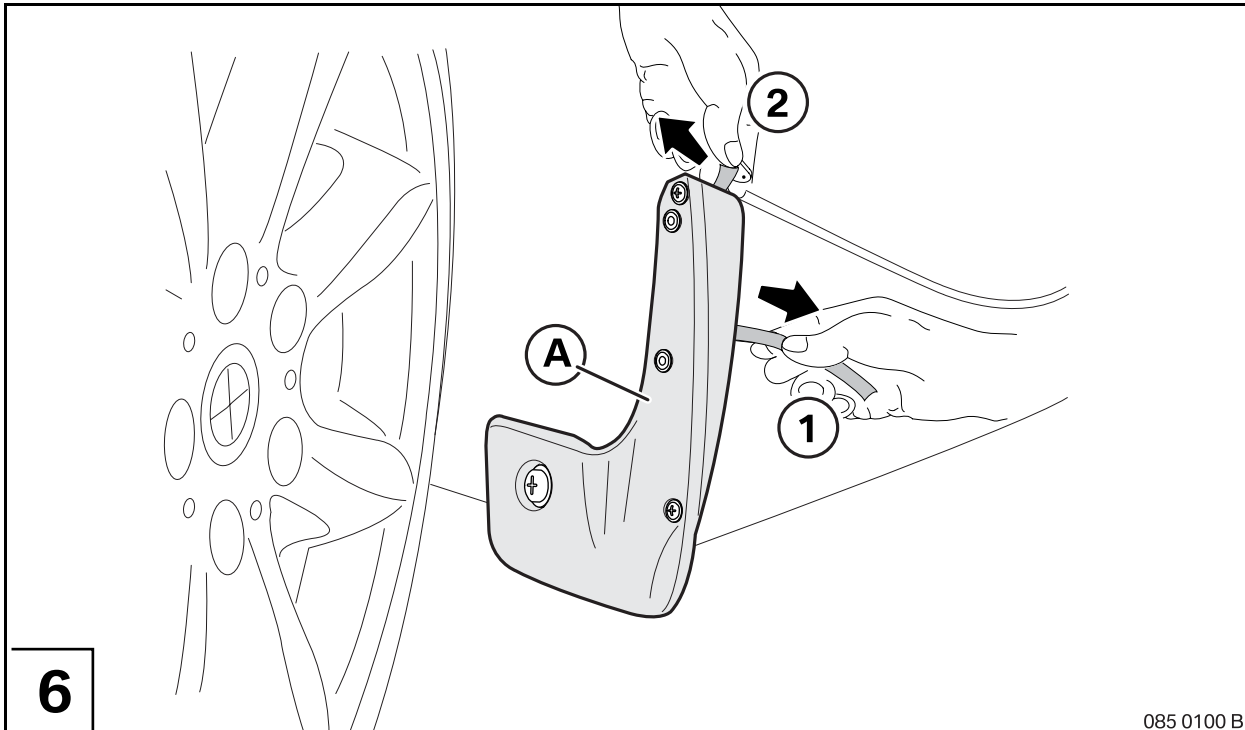
085 0099 B

- E Rear mud flap (left/right)
- F Plastic screw (6x)
- G Plastic expanding rivet
- H Self-tapping screw 4.8 x 19 (3x)

3. To fit the front mud flaps



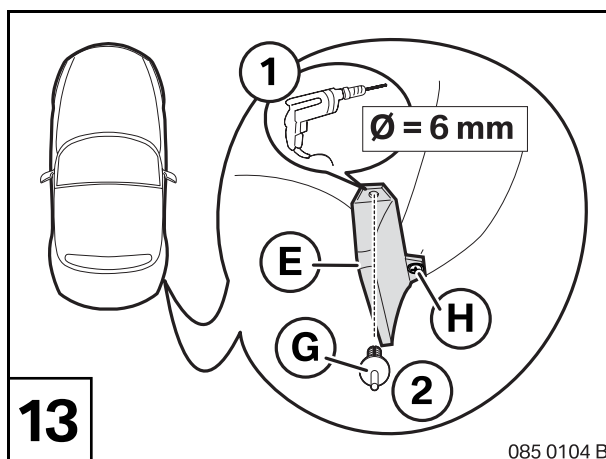
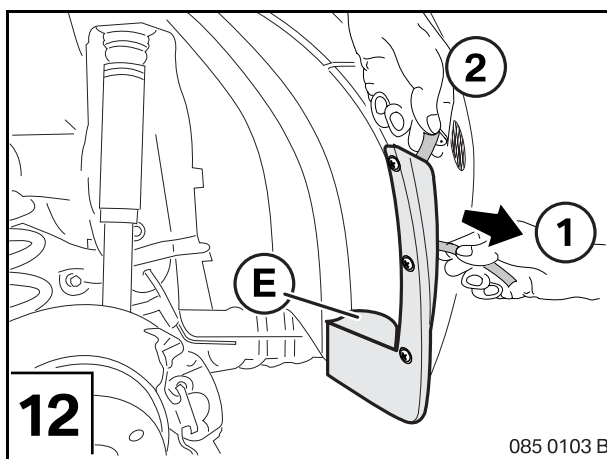
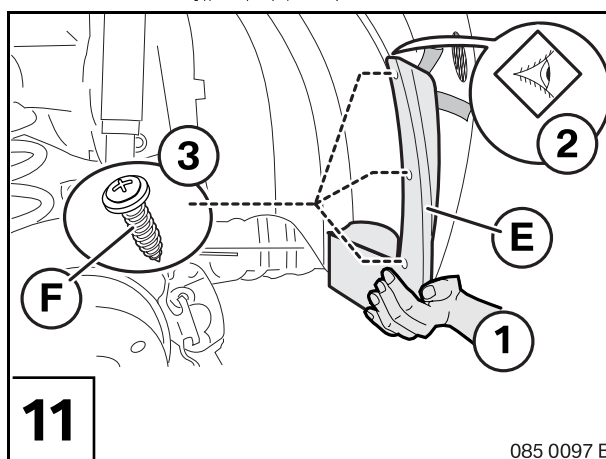
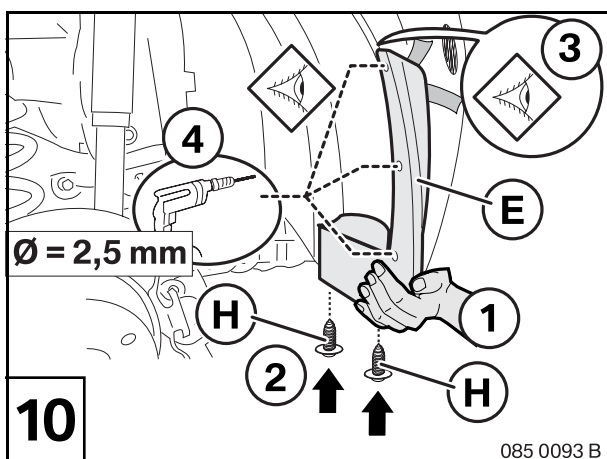
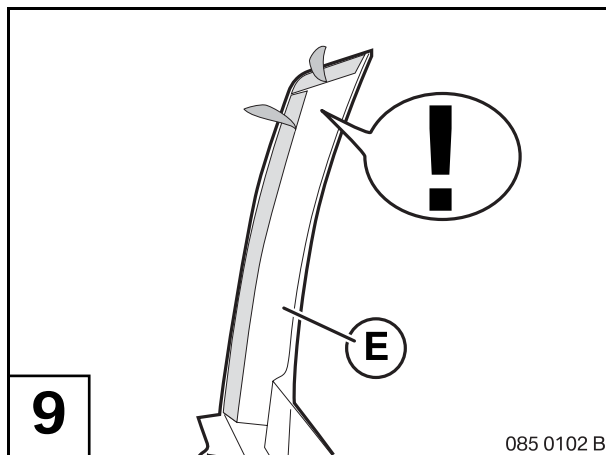
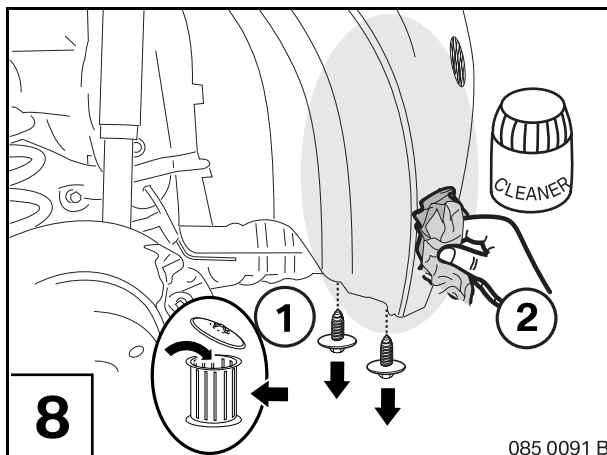
3. Front mud flaps



Concluding work at the front

After the complete installation of the mud flap, press all the external contours and corners firmly into position again.

4. To fit the rear mud flaps



Concluding work at the rear

After the complete installation of the mud flap, press all the external contours and corners firmly into position again.

Assemble the car following the instructions to dismantle it in reverse order.